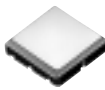


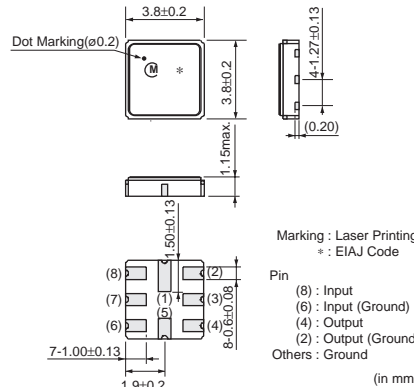
for IF

SAW Filters

● **AMPS/ADC**



SAFCG130MCA0T00



Dot Marking(ø0.2)

Marking : Laser Printing
* : EIAJ Code


Pin
(8) : Input
(6) : Input (Ground)
(4) : Output
(2) : Output (Ground)
Others : Ground

(in mm)

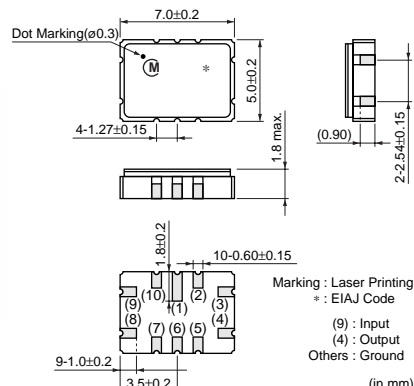
Part Number	Center Frequency (MHz)	3dB Bandwidth (kHz)	Insertion Loss (dB)	Ripple (dB max.)	Input/Output Impedance
SAFCG130MCA0T00	130.380	±630 min.	5.5 max. (at fo point)	-	310ohm//1.6μH (Input) 310ohm//1.6μH (Output)
SAFCT85M3JB0X05	85.380	±12 min.	5.5 max. (at min. loss point)	1.5 (fo±12kHz)	870ohm//1.8pF (Input) 870ohm//1.8pF (Output)

7

● **DECT**



SAFCT110MCA1T00



Dot Marking(ø0.3)

Marking : Laser Printing
* : EIAJ Code

Pin
(9) : Input
(4) : Output
Others : Ground

(in mm)

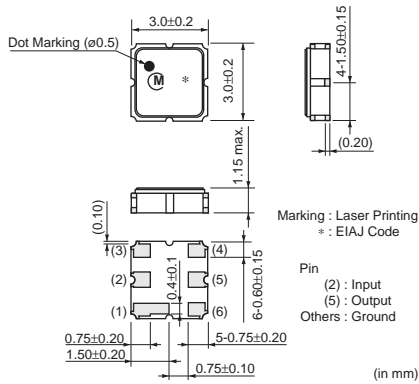
Part Number	Center Frequency (MHz)	3dB Bandwidth (kHz)	Insertion Loss (dB)	Ripple (dB max.)	Input/Output Impedance
SAFCT110MCA1T00	110.592	±576 min.	4.5 max. (at min. loss point)	-	300ohm//1.2μH (Input) 300ohm//1.2μH (Output)

Filters for Communication Equipment

Note • This catalog has only typical specifications because there is no space for detailed specifications. Therefore, please approve our product specifications or transact the approval sheet for product specifications before ordering. Especially, please read rating and **CAUTION** (for storage, operating, rating, soldering, mounting and handling) in them to prevent smoking and/or burning, etc.
• You are able to read a detailed specifications in the website (<http://search.murata.co.jp/>) before to require our product specifications or to transact the approval sheet for product specifications.

● GSM

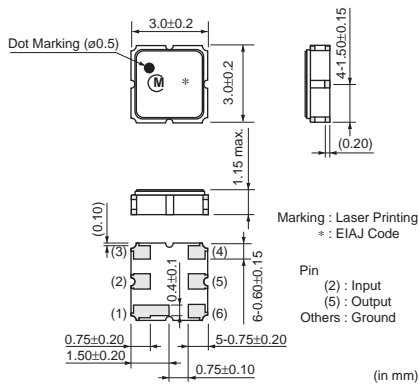
SAFCC225MRA0X00



Part Number	Center Frequency (MHz)	3dB Bandwidth (kHz)	Insertion Loss (dB)	Ripple (dB max.)	Input/Output Impedance
SAFCC225MRA0X00	225.000	±80 min.	9.0 max. (at min. loss point)	1.5 (fo±80kHz)	1100ohm// -0.42pF (Input) 900ohm// -0.30pF (Output)
SAFCC282MRA0X01	282.000	±80 min.	9.0 max. (at min. loss point)	1.5 (fo±80kHz)	1000ohm// -0.34pF (Input) 860ohm// -0.34pF (Output)

● PHS

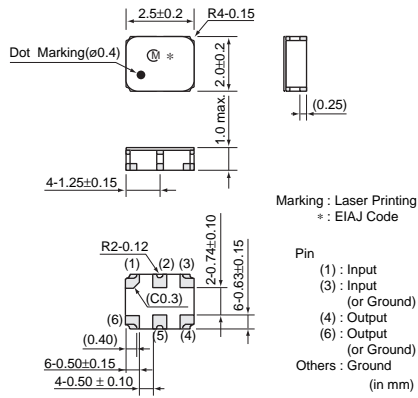
SAFCC243MRB9X00



Part Number	Center Frequency (MHz)	3dB Bandwidth (kHz)	Insertion Loss (dB)	Ripple (dB max.)	Input/Output Impedance
SAFCC243MRB9X00	243.950	±130 min.	4.5 max. (at min. loss point)	1.0 (fo±100kHz)	760ohm// -1.0pF (Input) 760ohm// -0.8pF (Output)
SAFCC265MRB5X01	265.550	±130 min.	4.5 max. (at fo point)	1.0 (fo±100kHz)	740ohm// -1.0pF (Input) 820ohm// -0.9pF (Output)
SAFDA243MRD9X00	243.950	±130 min.	4.5 max. (at fo point)	1.0 (fo±100kHz)	760ohm// -1.0pF (Input) 760ohm// -0.8pF (Output)

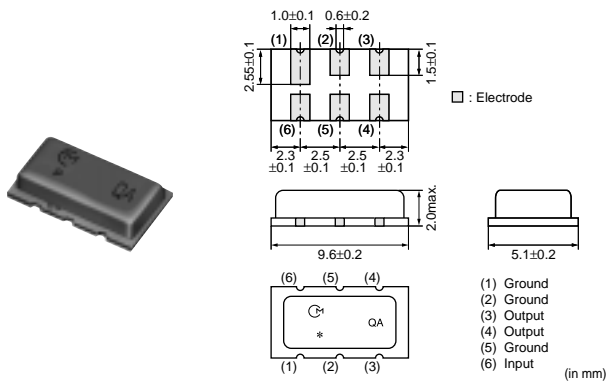
△Note • This catalog has only typical specifications because there is no space for detailed specifications. Therefore, please approve our product specifications or transact the approval sheet for product specifications before ordering. Especially, please read rating and △CAUTION (for storage, operating, rating, soldering, mounting and handling) in them to prevent smoking and/or burning, etc.
• You are able to read a detailed specifications in the website (<http://search.murata.co.jp/>) before to require our product specifications or to transact the approval sheet for product specifications.

● W-CDMA



Part Number	Center Frequency (MHz)	3dB Bandwidth (MHz)	Insertion Loss (dB)	Ripple (dB max.)	Input/Output Impedance
SAFSD570MCM0T00	570	± 2.5 min.	3.5 max. (at fo point)	0.8 (fo ± 1.92 MHz)	310ohm//120nH (Input) 310ohm//120nH (Output)

● Wireless LAN

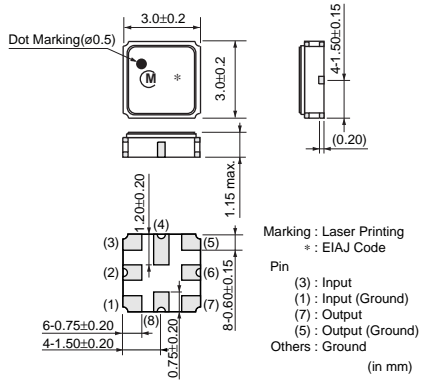


Part Number	Center Frequency (MHz)	3dB Bandwidth (MHz)	Insertion Loss (dB)	Ripple (dB max.)	Input/Output Impedance
SAFJA43M0WC0Z00R03	43.00 ± 0.1 MHz (fo)	1.25 min.	21.0 max. (at fo point)	-	-

△Note • This catalog has only typical specifications because there is no space for detailed specifications. Therefore, please approve our product specifications or transact the approval sheet for product specifications before ordering. Especially, please read rating and △CAUTION (for storage, operating, rating, soldering, mounting and handling) in them to prevent smoking and/or burning, etc.
• You are able to read a detailed specifications in the website (<http://search.murata.co.jp/>) before to require our product specifications or to transact the approval sheet for product specifications.

● 5G W-LAN

SAFCD450MCL0N00



Part Number	Center Frequency (MHz)	3dB Bandwidth (MHz)	Insertion Loss (dB)	Ripple (dB max.)	Input/Output Impedance
SAFCD450MCL0N00	450	±8.2 min.	4.5 max. (at min. loss point)	1.5 (fo±8.2MHz)	200ohm//150nH (Input) 200ohm//150nH (Output)
SAFCD570MCL0N00	570	±8.5 min. (2dB Bandwidth)	7.0 max. (fo±8.5MHz)	2.0 (fo±8.5MHz)	200ohm//100nH (Input) 200ohm//100nH (Output)

△Note • This catalog has only typical specifications because there is no space for detailed specifications. Therefore, please approve our product specifications or transact the approval sheet for product specifications before ordering. Especially, please read rating and △CAUTION (for storage, operating, rating, soldering, mounting and handling) in them to prevent smoking and/or burning, etc.
• You are able to read a detailed specifications in the website (<http://search.murata.co.jp/>) before to require our product specifications or to transact the approval sheet for product specifications.